

Electrak LA24

230 and 400 Vac - load up to 6800 N



Standard Features and Benefits

- Robust, strong and reliable
- Corrosion free aluminium cover tube
- Stainless steel extension tube
- Acme or ball screw models
- Rugged and robust
- Withstands very harsh environments
- Trunnion mounting possible
- Overload clutch for mid and end of stroke protection
- T-slot grooves in the cover tube for magnetic sensors
- Heavy duty motor with thermal switch
- Anti-coast brake for repeatable positioning on all ball screw models. Optional on acme screw models.
- Maintenance free

General Specifications

Parameter	Electrak LA24
Screw type	acme or ball
Internally restrained	yes
Manual override	no, optional
Dynamic braking	no
Holding brake acme screw models ball screw models	no, self-locking yes
End of stroke protection	overload clutch
Mid stroke protection	overload clutch
Motor protection	auto reset thermal switch
Motor connection	cable
Motor connector	no
Certificates	UL, CSA, CE
Options	<ul style="list-style-type: none"> • potentiometer • manual override

» Ordering Key - see page 74

» Glossary - see page 80

» Electric Wiring Diagram - see page 50

Performance Specifications

Parameter	Electrak LA24
Maximum load, dynamic / static AA •• -05A65M (acme screw)* AA •• -10A65M (acme screw) AA •• -20A65M (acme screw) AA •• -05B65M (ball screw) AA •• -10B65M (ball screw) AA •• -20B65M (ball screw) AA •• -21B65M (ball screw)	[N] 1100 / 11350 2250 / 11350 2250 / 11350 2250 / 18000 4500 / 18000 4500 / 18000 6800 / 18000
Speed, at no load / at maximum load AA •• -05A65M (acme screw)* AA •• -10A65M (acme screw) AA •• -20A65M (acme screw) AA •• -05B65M (ball screw) AA •• -10B65M (ball screw) AA •• -20B65M (ball screw) AA •• -21B65M (ball screw)	[mm/s] 48 / 38 30 / 18 15 / 12 61 / 37 30 / 19 15 / 12 15 / 11
Available input voltages Single phase Three phase	[Vac] 230** 400
Input frequency 1 × 230 Vac model 3 × 400 Vac model	[Hz] 50/60 50
Standard stroke lengths	[inch] 50, 100, 150, 200, 250, 300, 350, 400, 450, 500, 550, 600
Operating temperature limits	[°C] -25 – +65
Full load duty cycle @ 25 °C	[%] 25
Maximum on time	[s] 45
End play, maximum	[mm] 1,0
Restraining torque	[Nm] 0
Lead cross section	[mm ²] 1,5
Cable length	[mm] 600
Protection class	IP45

* Not possible with 400 Vac input voltage.

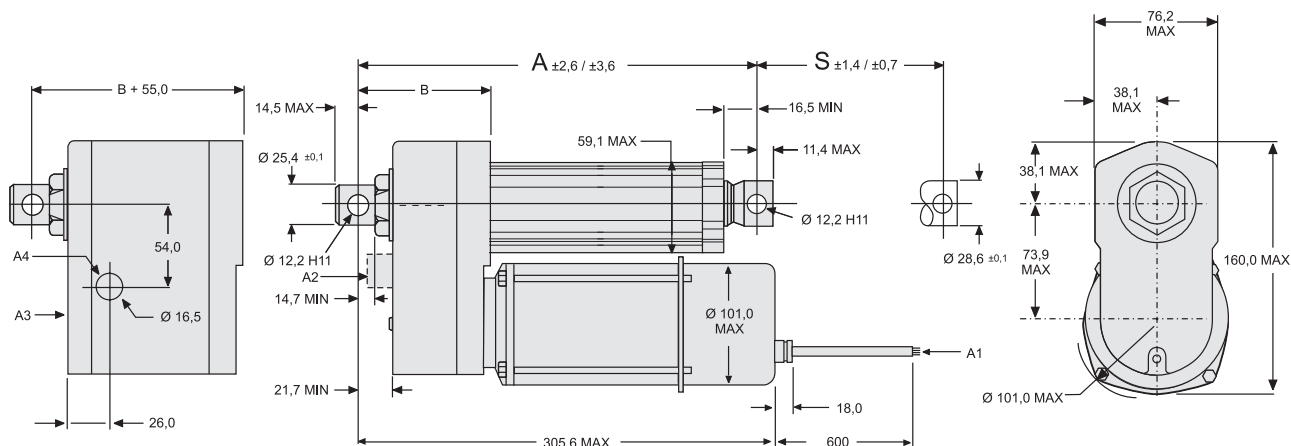
** 10 µF capacitor required to run the actuator, p/n 9200-448-003

Compatible Controls

Control model	See page
DPDT switch	53

Electrak LA24

230 and 400 Vac - load up to 6800 N



S: stroke, tolerance acme / ball screw

A: retracted length, tolerance acme / ball screw

A1: cable

A2: manual override input (optional)

A3: housing dimensions for potentiometer option

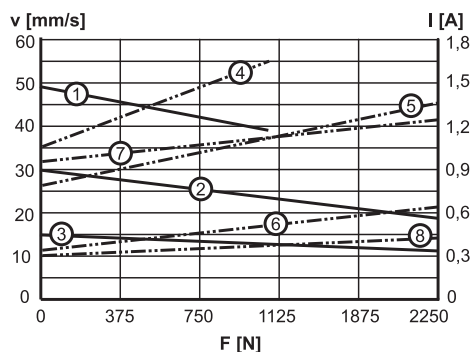
A4: potentiometer cable output, cable length = 600 mm

Stroke (S)	[mm]	50	100	150	200	250	300	350	400	450	500	550	600
Retracted length, acme screw models (A)	[mm]	216,7	266,7	316,7	366,7	416,7	466,7	566,7	616,7	666,7	716,7	766,7	816,7
Retracted length, ball screw models (A)	[mm]	269,6	319,6	369,6	419,6	469,6	519,6	619,6	669,6	719,6	769,6	819,6	869,6
Add on length for potentiometer*	[mm]	55,0	55,0	55,0	55,0	55,0	55,0	55,0	55,0	55,0	55,0	55,0	55,0
Weight, acme screw models	[kg]	6,0	6,2	6,4	6,6	6,8	7,0	7,3	7,5	7,7	7,9	8,1	8,3
Weight, ball screw models	[kg]	6,8	7,0	7,2	7,4	7,6	7,8	8,1	8,3	8,5	8,7	8,9	9,1
Add on weight for potentiometer*	[kg]	1,3	1,3	1,3	1,3	1,3	1,3	1,3	1,3	1,3	1,3	1,3	1,3
Potentiometer resistance change*	[ohm/mm]	39	39	39	39	39	20	20	20	20	20	10	10

* Potentiometer is optional (NPO, BPO option)

Performance Diagrams

Acme Screw Models
Speed and Current vs. Load

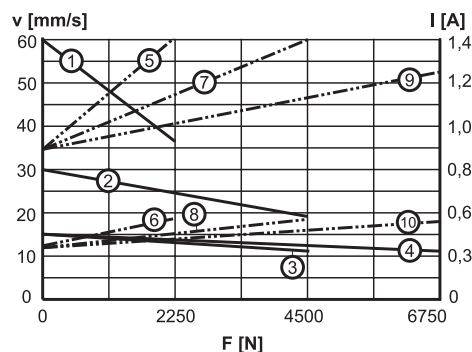


V: speed
I: current
F: load

1: speed AA22-05A65M
2: speed AA••-10A65M
3: speed AA••-20A65M

4: current 230 Vac, AA22-05A65M
5: current 230 Vac, AA22-10A65M
6: current 400 Vac, AA42-10A65M
7: current 230 Vac, AA22-20A65M
8: current 400 Vac, AA42-20A65M

Ball Screw Models
Speed and Current vs. Load



V: speed
I: current
F: load

1: speed AA22-05B65M, AA42-05B65M
2: speed AA22-10B65M, AA42-10B65M
3: speed AA22-20B65M, AA42-20B65M
4: speed AA22-21B65M, AA42-21B65M

5: current 230 Vac, AA22-05B65M
6: current 400 Vac, AA42-05B65M
7: current 230 Vac, AA22-10B65M, AA42-20B65M
8: current 400 Vac, AA42-10B65M, AA42-20B65M
9: current 230 Vac, AA22-21B65M
10: current 400 Vac, AA42-21B65M